

BATTERY-MATE 60[®] Single & Three Phase Ferroresonant Industrial Battery Chargers



The Battery-Mate 60 Delivers Dependable Charging, with Easy Operation & Low Energy Costs.

The Battery-Mate 60 is an industrial rated ferroresonant battery charger. It is designed for industrial applications where the batteries are 80% discharged, and there is 10 hours available for recharge.

- **Fail safe design**
- **Automatic start/stop control with...**
 - DV/DT charge termination
 - Fully charged battery reject
- **Quality-built for years of trouble-free service**
- **Ten-year transformer and diode warranty**
- **Interchangeable control design**
- **UL and cUL listed and meets BCI standards**

Designed for Value

The ferroresonant power circuit is designed to maximize battery life with its tapering charge regulated by the "On Charge" battery voltage. The output current of the charger is a function of the state of discharge of the battery. The battery is precisely charged, based on its depth of discharge.

Battery Charger Safeguards

The Battery-Mate 60 is internally protected against overload, short circuit, reverse polarity connection, voltage transients and other unsafe failure modes. These safeguards protect the charger and battery, assuring longer life for both.

Low Operating Cost

The Battery-Mate 60 is inherently efficient due to its ferroresonant circuitry, the most utilized method of charging lead acid batteries. In addition, the standard auto start/stop control provides for a more efficient charge.

Adjustable DC Output

Necessary adjustments to the DC output can be made by changing conveniently located quick-connect jumpers, thus providing additional flexibility.

Interchangeable Control Design

The Battery-Mate 60 is designed to allow the quick and easy installation or removal of controls. Unmatched in the industry, this design allows controls to be interchanged in minutes for greater control, flexibility and automation of any battery charging operation.

Control Options

Depending on your charging requirements, the Battery-Mate 60 can be controlled by any one of the following controls: AC1000 and AC2000.

100% Finish Rate

The Battery-Mate 60 is equipped with a 100% finish rate, typically found only in higher rated chargers.

Warranty

Minimize repair costs with ten-year original purchaser warranty on power transformers and silicon diodes, plus one-year warranty on other components.

Quality-Built for Years of Trouble-Free Service

Quality is the driving force behind the Battery-Mate 60. Its design allows it to meet the many challenges associated with charging batteries. Unmatched in construction, reliability and value, each Battery-Mate 60 is subject to intensive quality control and test procedures to ensure many years of trouble-free service.



BATTERY-MATE60™

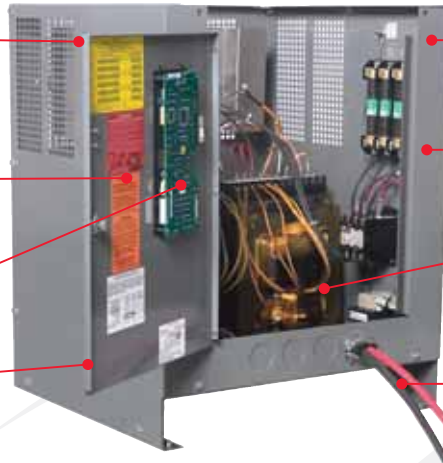
Single & Three Phase Ferroresonant
Industrial Battery Chargers

180 degree
hinged door for easy
access of components

Prominently displayed labels
• Voltage change-over
• Fuse sizes
• Charging rate adjustment

Modular designed controls for
increased flexibility

UL and
cUL listed



Compact cabinet
minimizes floor space

Baked powdered
polyester finish

Ferroresonant power
transformers with 10-year
warranty

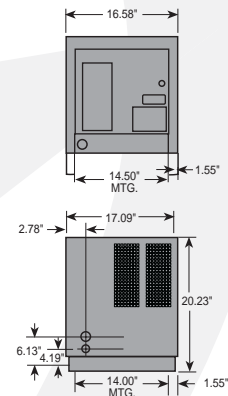
Color coded
charging cables

Battery-Mate 60 Models

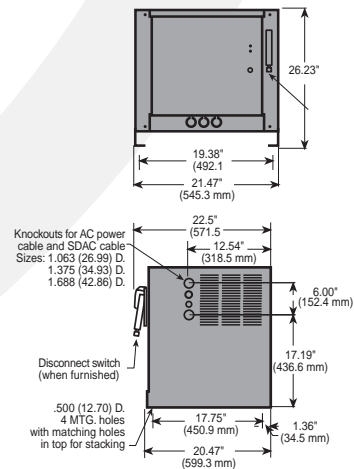
Single Phase Models				Max AC Amps RMS					Cabinet Size	Weight Lbs.
Model #	Amp Hour	DC Volts	DC Amps	@120 VAC	@208 VAC	@240 VAC	@480 VAC	@575 VAC		
380M1-6E	380	12	51	8.2	4.7	4.1	2.1	1.7	M	105
510M1-6E	510	12	68	11.2	6.5	5.6	2.8	2.3	M	115
600M1-6E	600	12	80	13	7.5	6.5	3.3	2.7	M	125
250M1-12E	250	24	33	9.9	5.7	4.9	2.5	2.1	M	105
380M1-12E	380	24	51	16.8	9.6	8.4	4.2	3.5	M	105
450M1-12E	450	24	60		11	9.5	4.8	4	M	115
510M1-12E	510	24	68		12	10.4	5.2	4.3	M	130
600M1-12E	600	24	80		14.3	12.5	6.2	5.2	M	130
750M1-12E	750	24	100		18	15.7	7.8	6.5	M	150
880M1-12E	880	24	117		21.7	18.9	9.5	7.9	M	155
965M1-12E	965	24	128		23.7	20.6	10.3	8.6	M	160
510M1-18E	510	36	68		17.3	15.1	7.5	6.3	M	165
600M1-18E	600	36	80		20.4	17.8	8.9	7.5	M	175
750M1-18E	750	36	100		27.6	24	12	10	M	180
880M1-18E	880	36	117		30.6	26.7	13.4	11.2	M	180
510M1-24E	510	48	68		22.3	19.5	9.7	8	M	175
600M1-24E	600	48	80		27.1	23.6	11.8	9.9	M	180
750M1-24E	750	48	100		36.1	31.5	15.7	13.1	M	190
Three Phase Models				Max AC Amps RMS					Cabinet Size	Weight Lbs.
Model #	Amp Hour	DC Volts	DC Amps	@120 VAC	@208 VAC	@240 VAC	@480 VAC	@575 VAC		
510H3-12E	510	24	68		7	6.1	3	2.5	H	200
600H3-12E	600	24	80		7.9	7	3.4	2.9	H	210
750H3-12E	750	24	100		10.3	8.9	4.5	3.7	H	215
880H3-12E	880	24	117		11.4	9.9	5	4.1	H	220
965H3-12E	965	24	128		13.5	11.7	5.9	4.9	H	235
1050H3-12E	1050	24	140		13.5	11.7	5.9	4.9	H	260
1260H3-12E	1260	24	168		17	14.8	7.4	6.1	H	290
510H3-18E	510	36	68		10.2	8.9	4.5	3.7	H	210
600H3-18E	600	36	80		11.3	9.8	4.9	4.1	H	255
750H3-18E	750	36	100		13.4	11.6	5.8	4.8	H	290
880H3-18E	880	36	117		16.7	14.5	7.3	6.1	H	290
965H3-18E	965	36	128		18.3	16	8	6.6	H	300
1050H3-18E	1050	36	140		18.9	16.5	8.3	6.8	H	300
1260H3-18E	1260	36	168		24.6	21.4	10.7	8.9	H	335
1400H3-18E	1400	36	186		27.9	24.3	12.1	10.1	H	335
600H3-24E	600	48	80		14.8	12.8	6.4	5.3	H	265
750H3-24E	750	48	100		19.6	17.1	8.5	7.1	H	290
880H3-24E	880	48	117		21.4	18.6	9.3	7.7	H	325
965H3-24E	965	48	128		24.1	21	10.5	8.7	H	340
1050H3-24E	1050	48	140		26.7	23.2	11.6	9.7	H	340
1260H3-24E	1260	48	168		34.6	30.1	15.1	12.5	H	370
600H3-40E	600	80	80		23.4	20.4	10.2	8.5	H	335
750H3-40E	750	80	100		32.7	28.5	14.2	11.8	H	375

Dimensions

"M" Case



"H" Case



AC input configurations available:
120/208/240-Single Phase,
208/240/480-Single & Three Phase,
240/480/575-Single Phase,
480/575-Three Phase

DISTRIBUTED BY:



Because we continually improve our products,
specifications are subject to change without notice.
©2009, AMETEK, Inc. Prestolite Power, Troy, Ohio
Data Sheet: 1318 1/09 5M Printed in U.S.A.
Replaces: 05/07

Manufactured by **AMETEK PRESTOLITE POWER**
2220 Corporate Drive • Troy, Ohio 45373
Phone: 800.367.2002 • Fax: 800.654.4024
www.prestolitepower.com